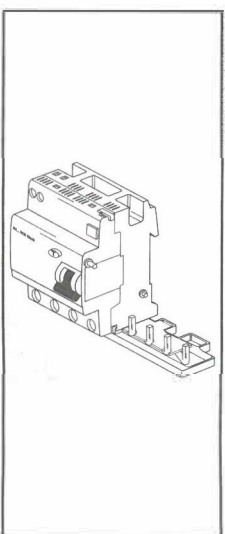


RCD Block

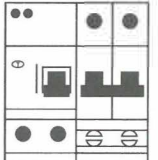
EG



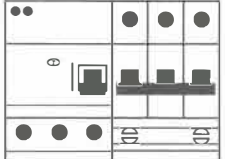
9AKK10B469A5131

DX.../AC...	EX40 / EN40
DX.../A...	EX60, EN60
DX.../AI...	EX100, EN100
DX.../SI...	EN250

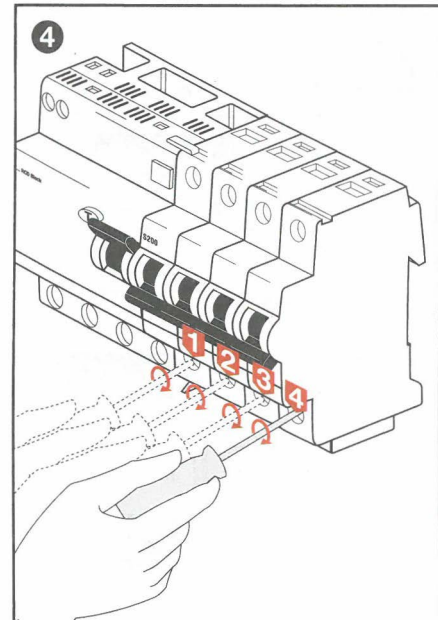
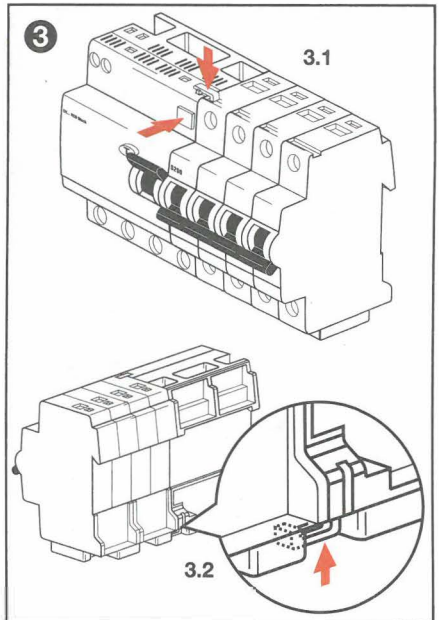
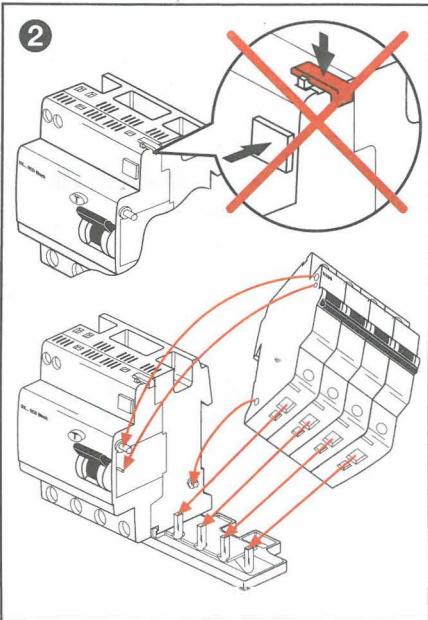
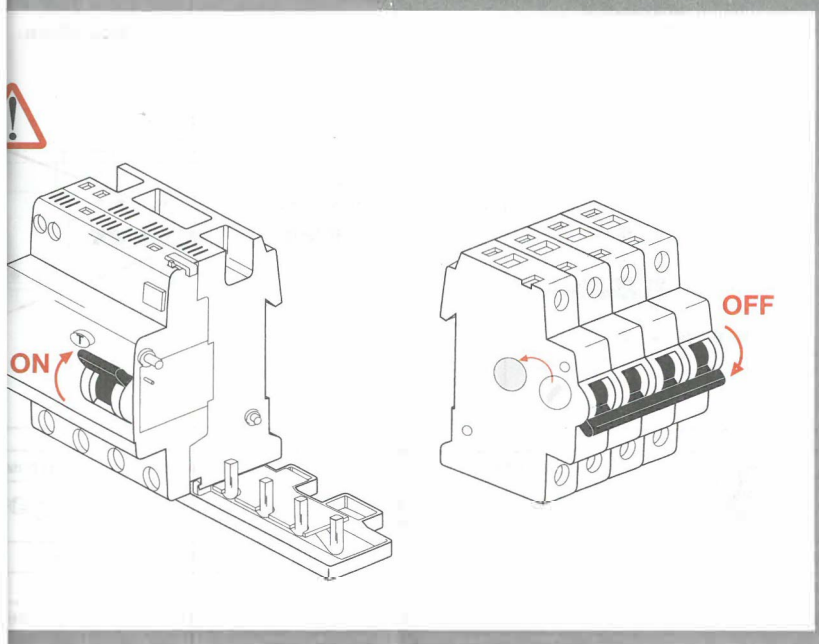
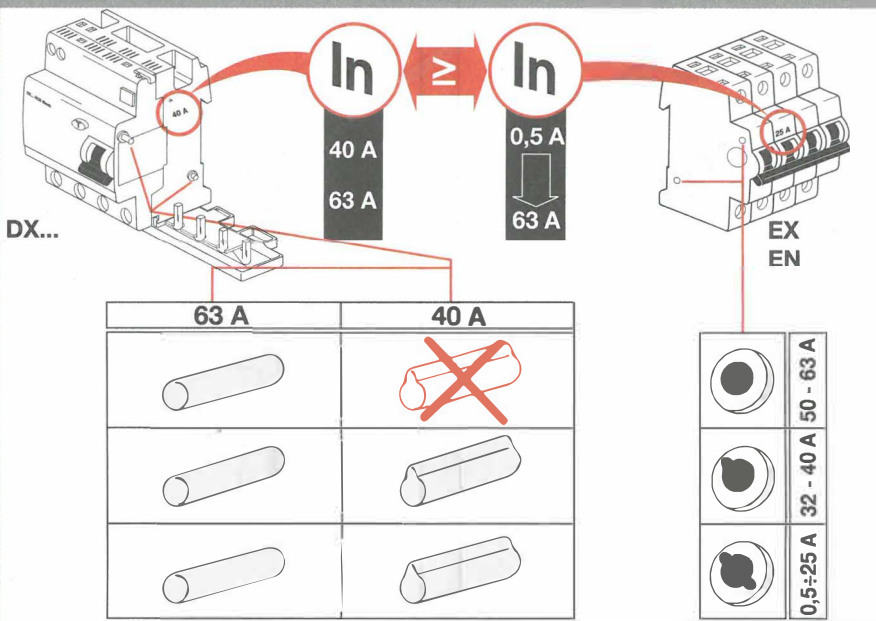
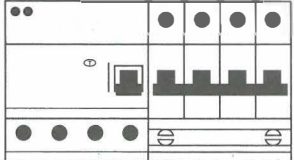
DX2.. + 2P or 1P+N - MCB (EX/EN)

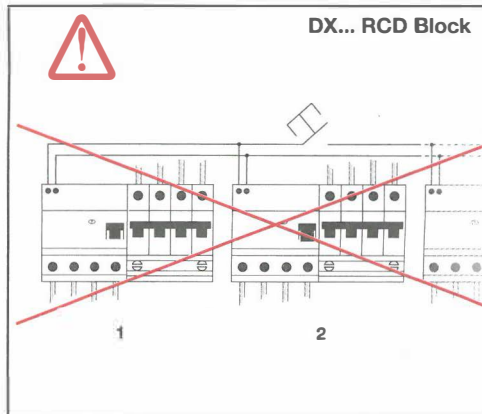
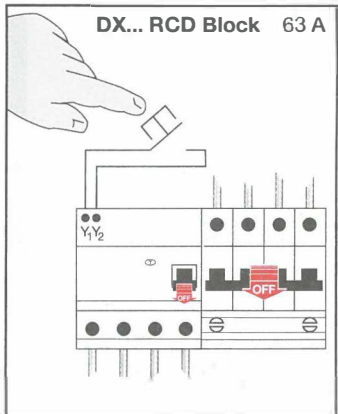
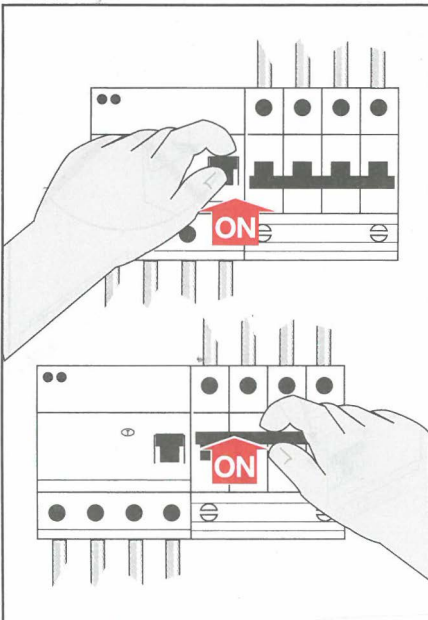
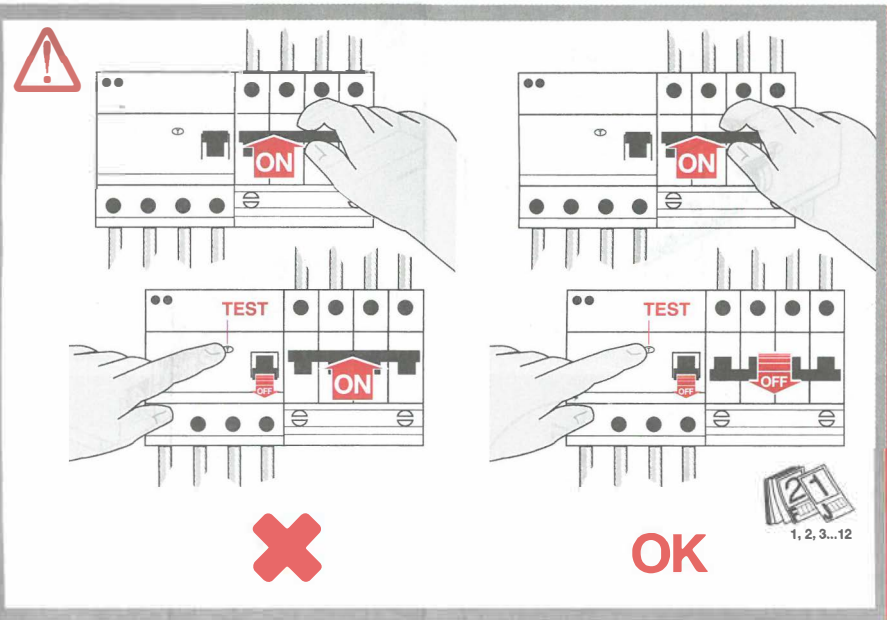
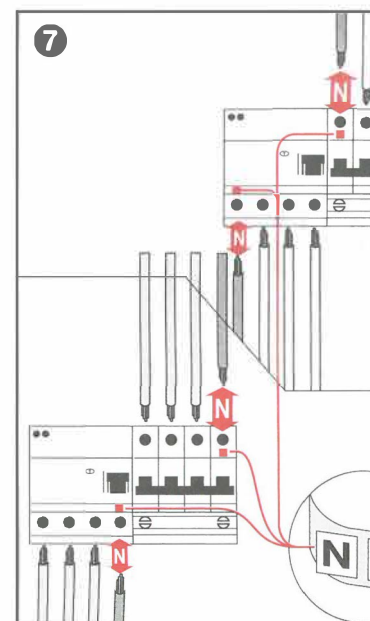
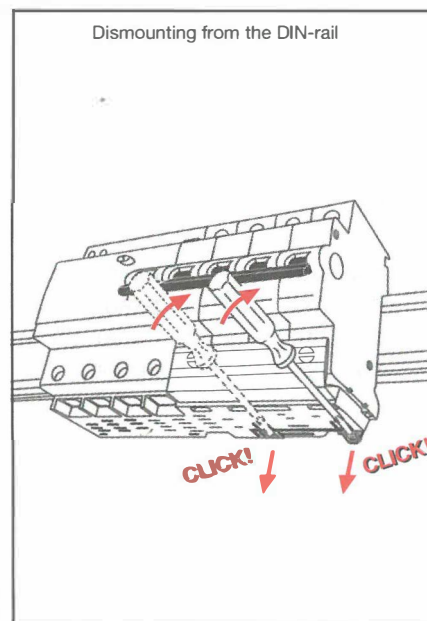
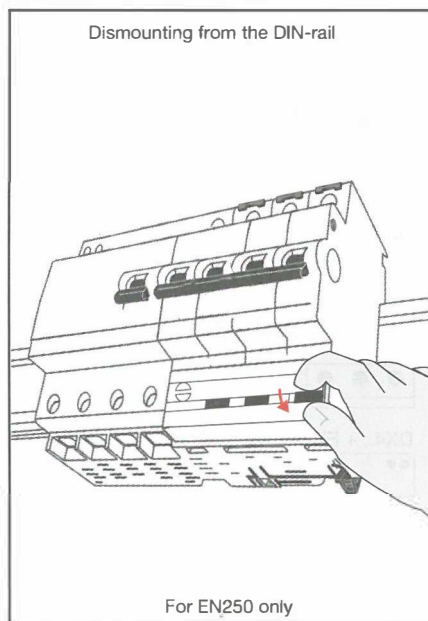
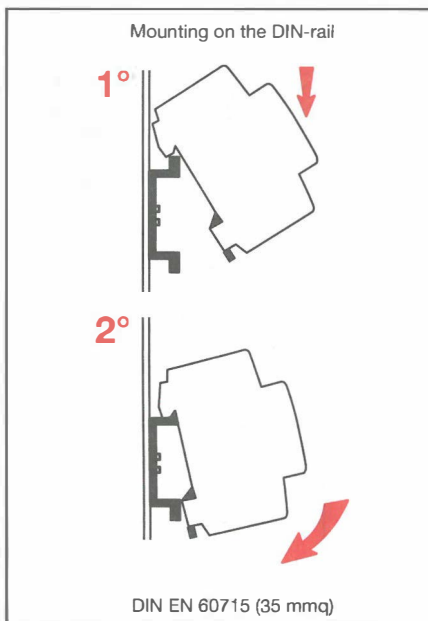
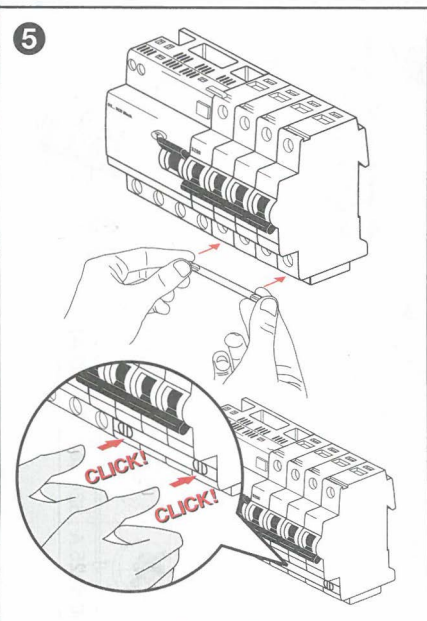


DX3.. + EX.3/ EX1.3/ EN253



DX4.. + EX.4/ EX1.4/ EN254





	Standard terminals (25 mm ²)		Additional terminals for remote tripping (6 mm ²)	
2P: I _n = 40 A	12,5 mm	2,8 Nm	Additional terminals not present	
3P/4P: n = 40 A	12,5 mm	1,2 Nm	Additional terminals not present	
2P/3P/4P: I _n = 63 A	12,5 mm	2,8 Nm	10,2 mm	0,8 Nm